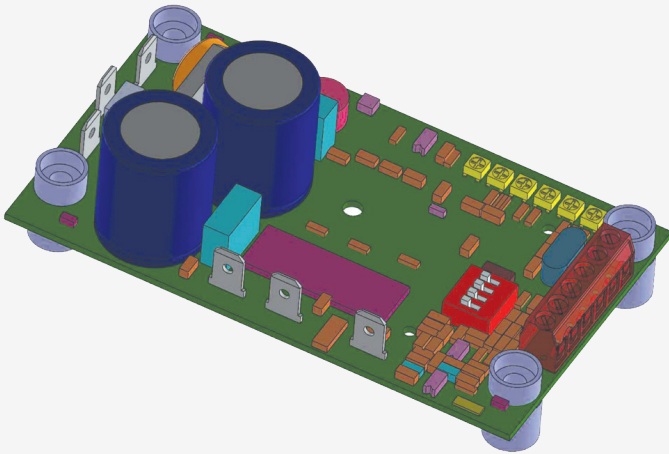


BROTHER GEARMOTOR'S NEW VARIABLE DRIVE FREQUENCY...FOR ADDED CONTROL

THE COMBINATION OF BROTHER GEARMOTORS AND VFDS PROVIDE MAXIMUM CONTROL AND EFFICIENCY



Variable Frequency Drives Designed Specifically for Brother Sub-Fractional Gearmotors

Brother's new VFDs allows for fine tuning the run speeds of applications that demand heightened control.

Brother VFDs allow flexibility for the use of 3 phase motors in locations where only single phase power is available. This allows you to achieve the same results while reducing the number of components involved.

Providing benefits such as more precise operations control and reduced energy consumption, VFDs are particularly suitable for gearmotors included in machines typically found in a wide range of sectors including packing, materials handling, food processing and industrial applications.

There are many benefits to using Brother's New Variable Frequency Drive.

Quality

- Same Brother quality
- 2-year limited warranty
- Available for immediate shipping from our US facility

Cost Saving

- Optimized and designed specifically for Brother's sub-fractional gearmotors
- Competitively priced
- Extended motor life - VFDs can extend motor life by reducing wear and tear on motor
- Reduce components with better availability

Delivery

- US location with overnight delivery available
- In Stock and ready to ship

Ease of Doing Business

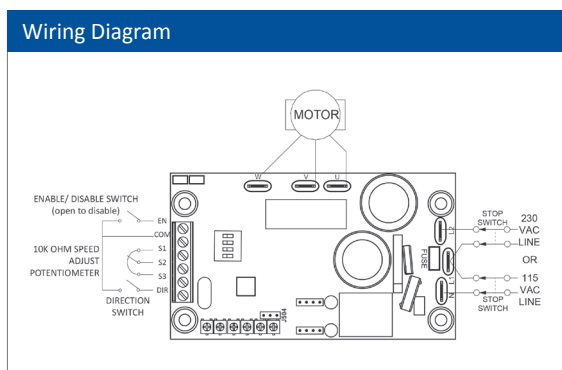
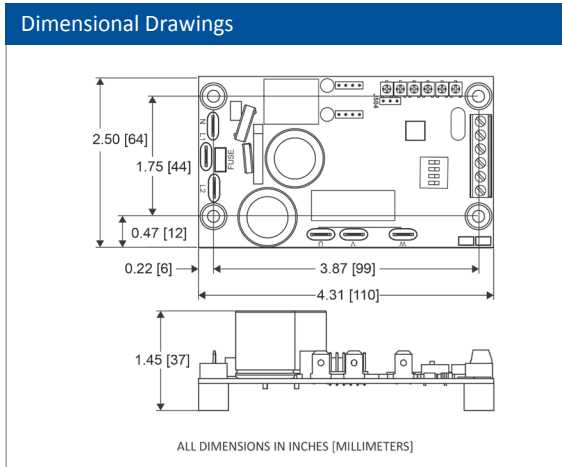
- One stop shop - purchase a VFD and gearmotor from Brother without having to use multiple vendors
- Downloadable CAD drawings
- Post-sales support

brother
at your side

INCREASED OPERATIONS CONTROL AND REDUCED ENERGY CONSUMPTION

Brother Gearmotor Part Number: **BIC700-0.65**

Model Number	Enclosure	Max Current (AAC)	Input			Output			Power Range		Reversing	Isolation
			Voltage	Freq (Hz)	Phase	Voltage VAC	Freq (Hz)	Phase	HP	kW		
BIC700-0.65	Chassis	0.65	115	50/60	1	230	50/60	3	1/50 - 1/6	.02 - .12	Yes	No
			230									



SPECIFICATIONS

Input Voltage: 115 or 230 VAC, 50/60 Hz, Single Phase, +/- 10%

Motor Voltage: 230 VAC, 50/60 Hz, Three Phase

Overload Capability: 200% for 1 minute

Standard Carrier Frequency: 2 or 12 kHz

Acceleration Time: 1 – 10 seconds

Deceleration Time: 1 – 10 seconds

Input Impedance: >100K ohms

Temperature Range (Max. Surrounding Air Temp.): 0°C – 40°C (40 °C)

TRIM POTS

- Minimum Speed
- Maximum Speed
- Slip Compensation
- Boost
- Acceleration / Deceleration
- Torque / Motor Overload
- Protection

FEATURES

DC Injection Braking: Fixed 30 VDC for 2 seconds injection for quicker braking

Thermally Protects: Drive recognizes when overheated as a result of frequent overload. It first flashes a warning code and will trip if condition persists

Diagnostic LEDs: Power, Status (Undervoltage, Overvoltage, Short Circuit/ Current Trip, Overheat Warning, Overheat Trip)

brother
at your side

Visit BrotherGearmotors.com today for the latest product information.

Brother International Corporation

Gearmotor Division
866-523-6283 • Fax: 908-575-3743

BrotherGearmotors.com

© 2016 Brother International Corporation

Contact your Brother Representative today for more information.

Visit our website for more information: [www. BrotherGearmotors.com](http://www.BrotherGearmotors.com)